

LZ2N Series Fluorescent

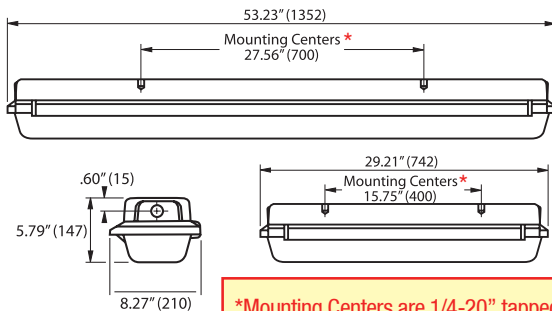
Number of Lamps/Watts	Voltage	Description	LZ2N	LZ2NE ^② Battery-Backed
BIAXIAL Lamp Type Fixtures				
1 - 40W	120-277V, 50/60Hz	2' 1-Lamp Biaxial Electronic, 0°F Start 4-Pin	LZ2N40130	LZ2NE1 - 40130
1 - 55W	120-277V, 50/60Hz	2' 1-Lamp Biaxial Electronic, 0°F Start 4-Pin	LZ2N55130	LZ2NE1 - 55130
2 - 40W	120-277V, 50/60Hz	2' 2-Lamp Biaxial Electronic, 0°F Start 4-Pin	LZ2N40230	LZ2NE1 - 40230
4 - 40W	120-277V, 50/60Hz	4' 4-Lamp Biaxial Electronic, 0°F Start 4-Pin	LZ2N40430	LZ2NE1 - 40430
Double - Ended Lamp Type Fixtures				
2 - 17W	120-277V, 50/60Hz	2' 2-Lamp T8 Electronic, 0°F Start Medium Bi-Pin	LZ2N17230	LZ2NE2-17230
3 - 17W ^③	120-277V, 50/60Hz	2' 3-Lamp T8 Electronic, 0°F Start Medium Bi-Pin	LZ2N17330	LZ2NE2-17330
2 - 28W	120-277V, 50/60Hz	4' 2-Lamp T5 Electronic, 0°F Start Miniature Bi-Pin	LZ2N28230	LZ2NE1-28230
3 - 28W	120-277V, 50/60Hz	4' 3-Lamp T5 Electronic, 0°F Start Miniature Bi-Pin	LZ2N28330	LZ2NE1-28330
2 - 32W	120-277V, 50/60Hz	4' 2-Lamp T8 Electronic, 0°F Start Medium Bi-Pin	LZ2N32230	LZ2NE2-32230
	347V, 60Hz		LZ2N32215	LZ2NE2-32215
3 - 32W	120-277V, 50/60Hz	4' 3-Lamp T8 Electronic, 0°F Start Medium Bi-Pin	LZ2N32330	LZ2NE2-32330
	347V, 60Hz		LZ2N32315	LZ2NE2-32315
2 - 40W	120V, 60Hz	4' 2-Lamp T12 Electronic, Medium Bi-Pin Start 50°F 40W/60°F 34W	LZ2N40201	LZ2NE2-40201
	277V, 60Hz		LZ2N40204	LZ2NE2-40204
	230V, 50Hz ^①		LZ2N40208	LZ2NE2-40208
2 - 44W	120V-277V, 50/60Hz	4' 2-Lamp T8 H.O. Electronic, -20°F Start Recessed Double Contact	LZ2N44230	LZ2NE1-44230
2 - 54W	120V-277V, 50/60Hz	4' 2-Lamp T5 H.O. Electronic, -20°F Start Miniature Bi-Pin	LZ2N54230	LZ2NE1-54230
2 - 60W	120V, 60Hz	4' 2-Lamp T12 H.O. Electronic, -20°F Start Recessed Double Contact	LZ2N60201	LZ2NE1-60201
	277V, 60Hz		LZ2N60204	LZ2NE1-60204

① 50 Hz ballast is magnetic.

② Digit after E is number of lamps energized during power loss. For optional fused ballasts, add to catalog number F1 for 120V, F4 for 277V, F8 for 230V.

③ 3 x 17 W available in 347V, change 30 at end of catalog number to 15.

Fusing not for Marine or Canadian use. Lamps not included.



*Mounting Centers are 1/4-20" tapped for user all thread rod, or cataloged brackets.



KILLARK



KILLARK

LINEAR LITE

*marca registrada MEXICO

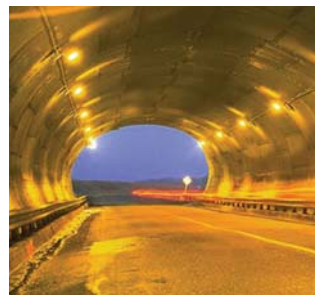


LZ2N Series

**Non-Metallic
Linear Fluorescent for
Wet, Harsh & Hazardous
Locations**

Now includes 54W T5 High Output

Distributed by:



Oil Rigs & Offshore Platforms	Chemical Plants	Waste Water Treatment	Tunnels	Food Processing	Coastal Areas
--	------------------------	------------------------------	----------------	------------------------	----------------------

LINEARLITE®*

*marca registrada MEXICO

Class I, Division 2, Groups A,B,C,D
 Class I, Zone 2, Groups IIC, IIB, IIA
 Class I, Zone 2, AEx nAll, Ex nAll
Class II, Divisions 1 & 2, Groups F, G

Wet Locations
 NEMA 4X, IP66



ABS Type Approval



Features

- NEMA 4 & IP66 Rated Enclosure
- Housing - one piece fiberglass reinforced polyester
- Lens - Clear Lexan® impact resistant polycarbonate
- Two 3/4" NPT aluminum hubs - one at each end (includes one 3/4" close-up plug and two 3/4" x 1/2" reducers for maximum user flexibility)
- Two 1/4" - 20 aluminum bushings furnished in top of fixture for threaded rod
- Quick release diffuser clamp and hinged cover requires no special tools

Lexan® is a registered trademark of General Electric.



Product Range

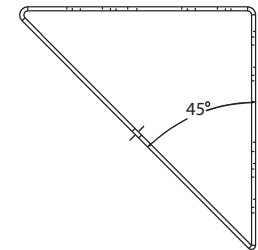
- 2' and 4' luminaries
- Lamp types -
 Linear 17W, 28W, 32W, 40W, 44W, 54W, and 60W
 Long Compact Biaxial 40W, 55W
- Emergency Battery-Backed available
- Electronic Ballast standard
- World voltage (most models) 120 thru 277V, 50/60Hz

Applications

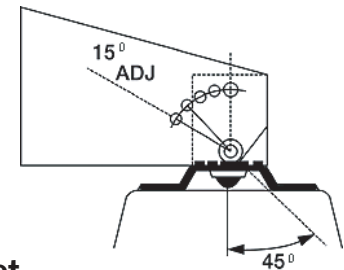
- Suitable for where Enclosed and Gasketed fixtures are required to withstand exposure to moisture, dust and corrosives.
- Typical applications include those pictured above plus many others.
- The LZ2N Series additionally can be used where exposed to Class I, Division 2 and Zone 2 hazardous vapors, plus grain and coal Class II dusts.

Stainless Steel Mounting Accessories

Wall Bracket Set
 Part Number LZWB



Adjustable Wall Bracket Set
 Part Number LZAB



Ceiling Bracket Set
 Part Number LZCB



Eyebolt Set
 Part Number LZEB

